

	1
	1
	
1-1	
1-1	
1-	
1-	
1-	
1-	11
1-	1
1-	1
1-	1
1-	1
1-10	1
1-11	
1-1	
1-1	
1-1	
1-1	
1-1	0
1-1	
1-1	
	
-1	
-1	
-	0
-	1
-	
-	
-	
-	
-	1
-10	
-11	
-1	
-1	
-1	1
-1	
-1	
-1	
-1	
	0

[2014] 55

- 1.
- 2.
- 3.
- 4.

--

--

		1-1	1	1-1	1-1
		-1	1	-1	-1
		-1	1	-1	-1

1

I/O

C

/

Kei I C

2

1

/ /

Kei I C

MCU

/ /

2

6S (

)

/

3

120

4

20		10	0	
				1
				2
		10		3
				4
			5	

10

5

30

1



2

PCB

E

3

1

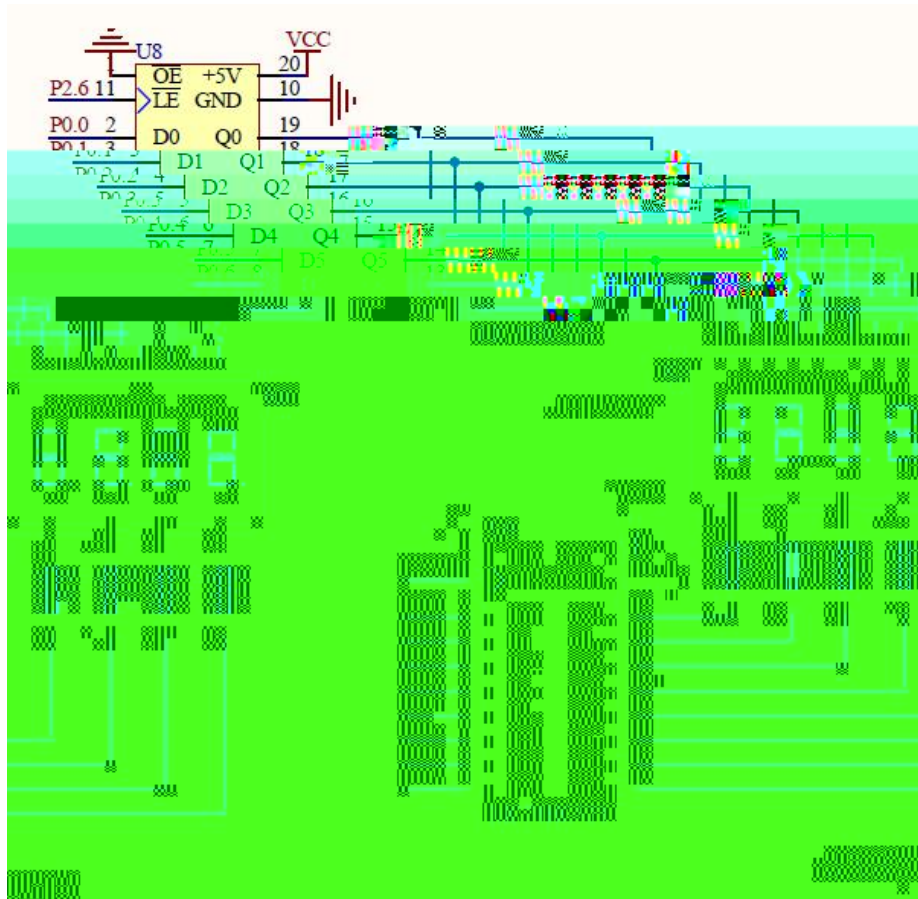


2

PCB
E

3

1



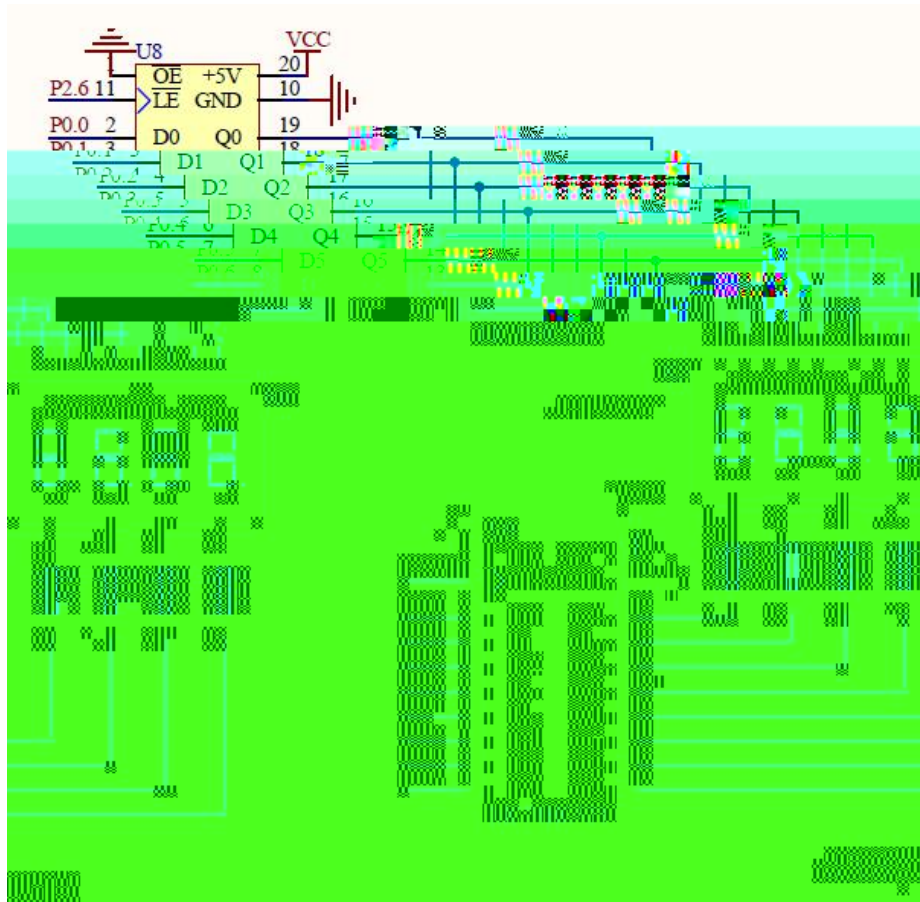
2

PCB

E

3

1



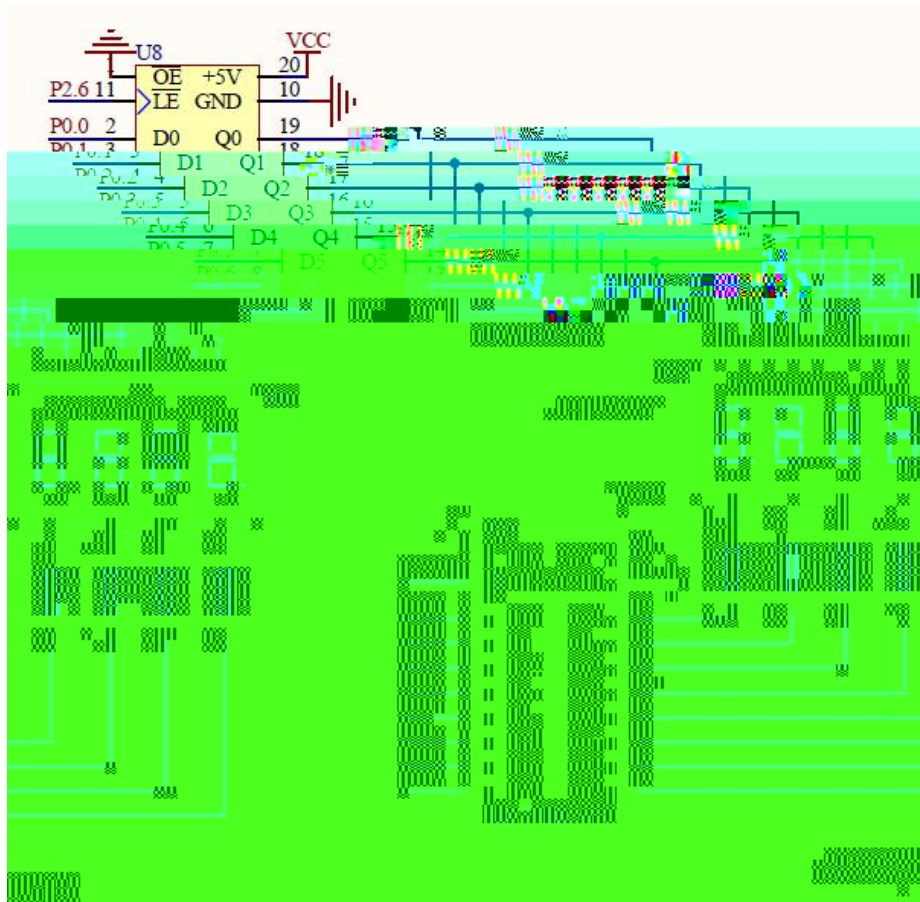
2

PCB

E

3

1



2

PCB

E

3

1

K1 8



2

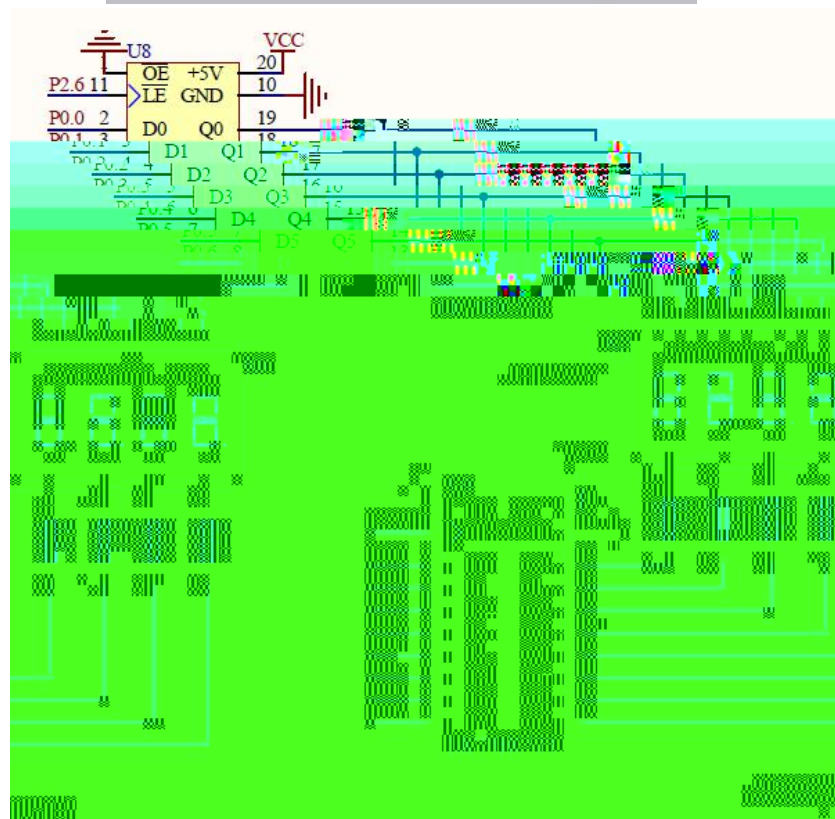
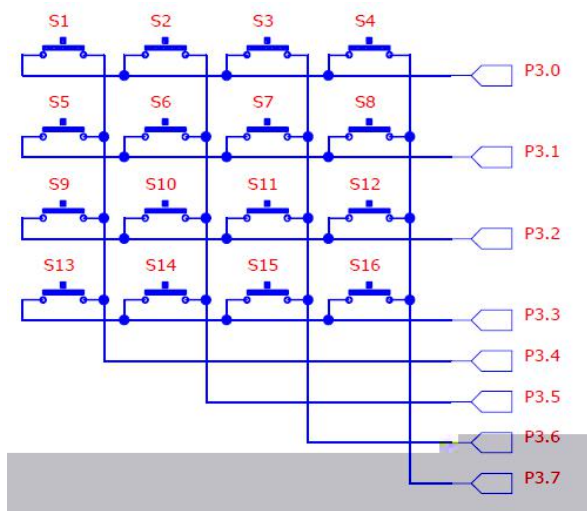
PCB
E

3

1

S1-S16

O-F



2

PCB

E

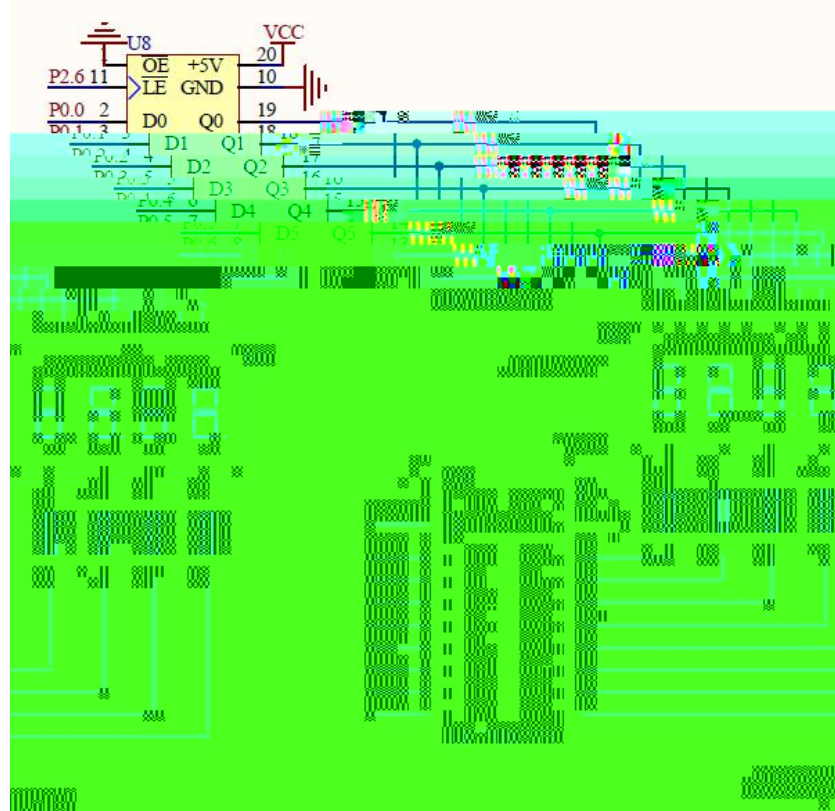
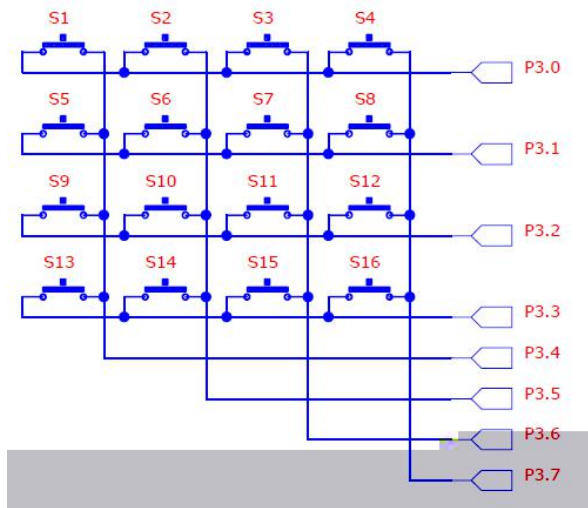
3

1

P3.2

1

9 0



2

PCB

E

3

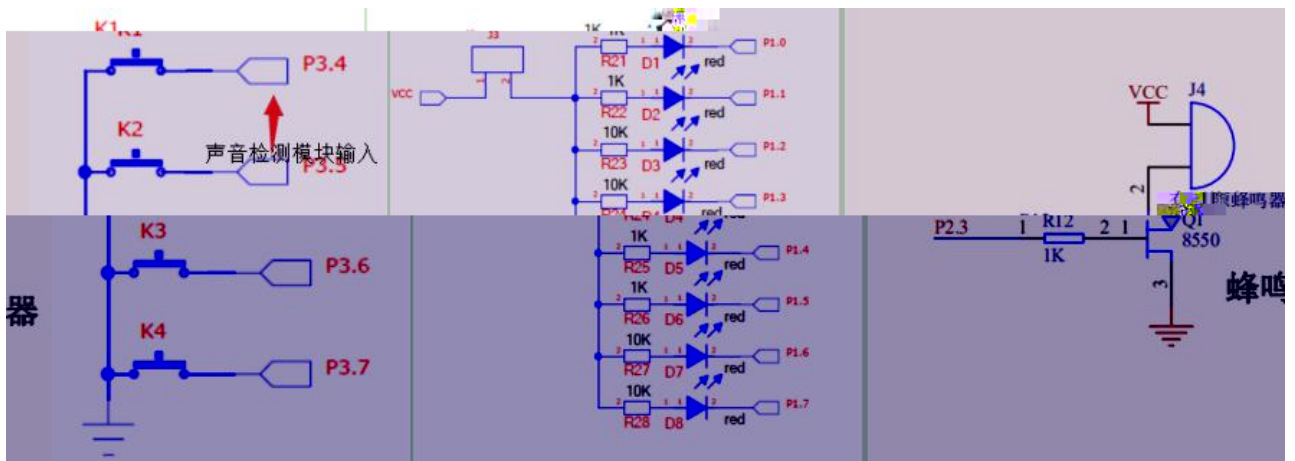
1

1

P3.4

P3.4

D1



1

2

PCB

E

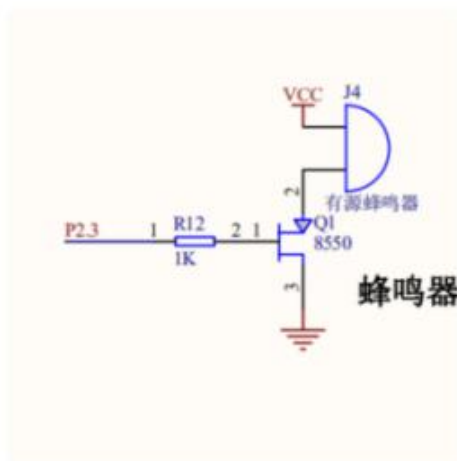
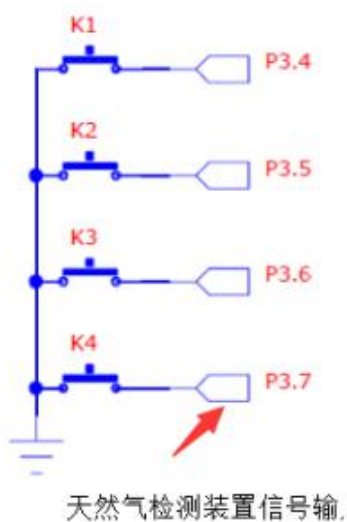
3

1

P3.7

1

P3.7



1

2

PCB
E

3

1

1

K1

D1

K2

D2



1

2

PCB

E

3

1

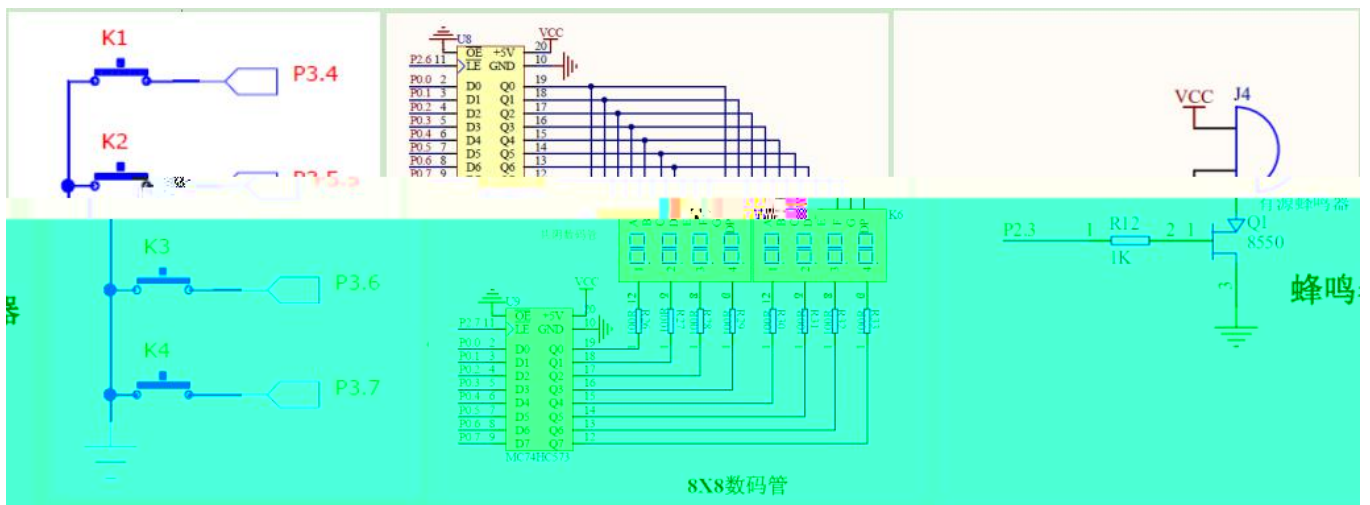
1

K1

K2 K3 K4

K1

" 1 "



2

PCB

E

3

1

2



2

PCB

E

3

1

1

P3.6

P3.6



门窗异常打开信号

1

2

PCB

E

3

0

1

0.5S 0.5S



2

PCB

E

3

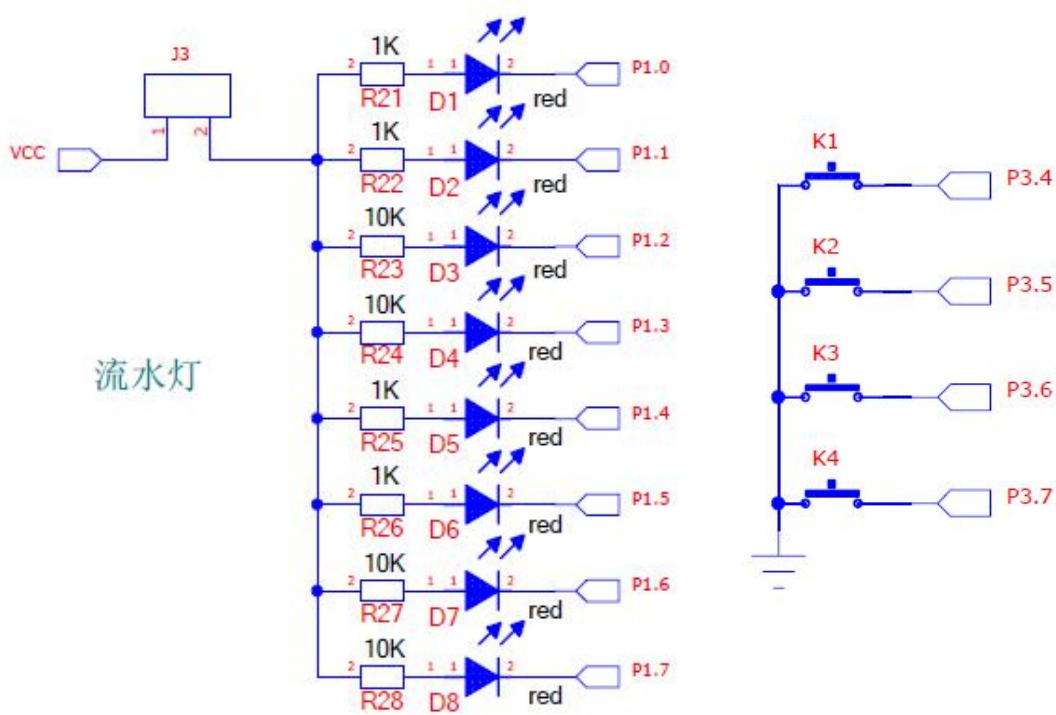
1

K1

D1-D4

K2

D5-D8



2

PCB

E

3

1

/ /

1

/ /

/ /

()

/

1 0

20		10			0
			1		
		10	2		
			3		

			4	
			5	
30		10		
		5		
		5		
		10		
50		5		
		5	1 2	PCB
		10		
		15	1 2 3	
		15		

5

18

1



2

3

1



2

3

1



2

3

1



2

3

1



2



3

1

1	VBAT	VDD	64
2	PC13/ANT1	VSS	63
3	PC14/OSC32	PB9/TIM4_CH4/SDIO_D5	62
4	PC15/OSC32	PB8/TIM4_CH3/SDIO_D4	61
5	PD0/OSCIN	PA7/I2C1_SCL/TIM4_CH2	59
6	PD1/OSCOUT	PA6/I2C1_SDA/TIM4_CH1	58
7	NRES*	PB5/I2C1_SMBA/SPI3_MOSI/I2S3_SD	57
8	PC0/ADC10	PB4/JNTRST/SPI3_MISO	56
9	PC1/ADC11	PB3/JTDO/SPI3_SCK/I2S3_CK	55
10	PC2/ADC12	PC2/U5_RX/TIM3_ETR/SDIO_CMD	54
11	PC3/ADC13	PC12/U5_TX/SDIO_CK	53
12	VSSA	PC11/U4_RX/SDIO_D3	52
13	VDDA	PC10/U4_TX/SDIO_D2	51
14	PA0/WKUP/ADC0/TIM2_CH1_ETR/TIM5_CH1/TIM8_ETR	PA15/JTDI/SPI3_NSS/I2S3_WS	50
15	PA1/ADC1/TIM2_CH2/TIM5_CH2	PA14/JTCK/SWCLK	49
16	PA2/U2_TX/ADC2/TIM2_CH3/TIM5_CH3	VDD	48
17	PA3/U2_RX/ADC3/TIM2_CH4/TIM5_CH4		47
18			46
19			45
20			44
21			43
22			42
23			41
24			40
25			39
26			38
27			37
28			36
29			35
30			34
31			33
32			32
33			31
34			30
35			29
36			28
37			27
38			26
39			25
40			24
41			23
42			22
43			21
44			20
45			19
46			18
47			17
48			16
49			15
50			14
51			13
52			12
53			11
54			10
55			9
56			8
57			7
58			6
59			5
60			4
61			3
62			2
63			1
64			0

2

3

1



2

3

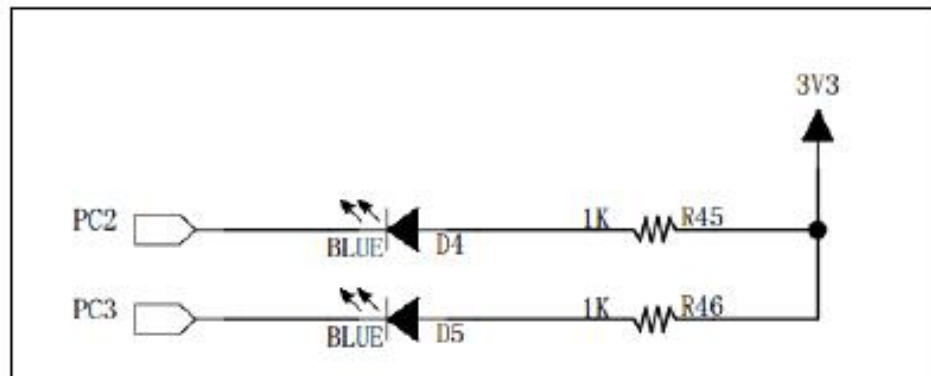
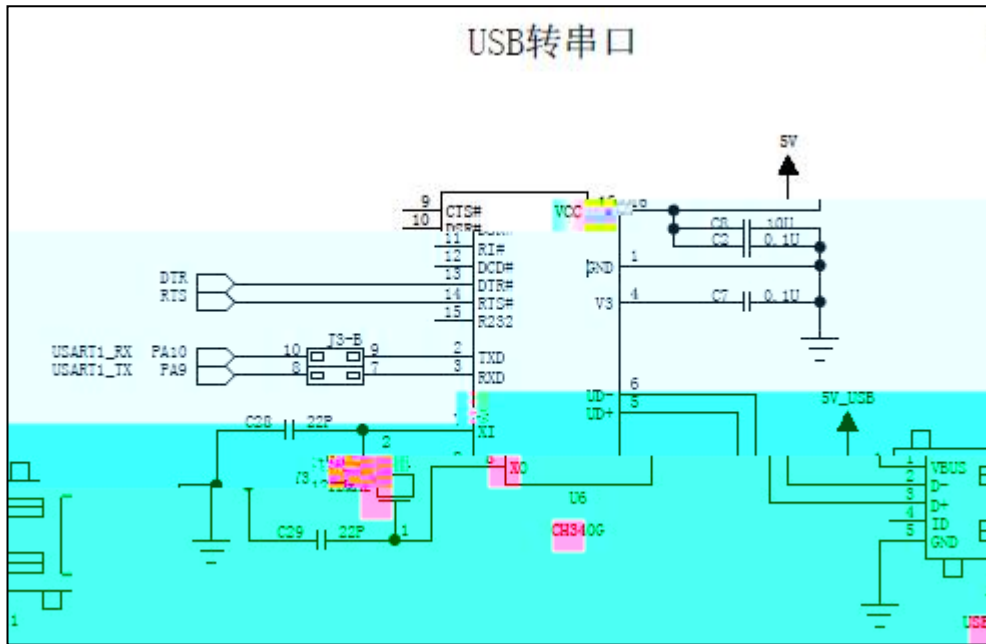
1

1	VBAT	VDD	64
2	PC13/ANT1	VSS	63
3	PC14/OSC32	PB9/TIM4_CH4/SDIO_D5	62
4	PC15/OSC32	PB8/TIM4_CH3/SDIO_D4	61
5	PD0/OSCIN	DD07/I2C1_SDA	59
6	PD1/OSCOUT	DD08/I2C1_SCL	58
7	NRS	PB6/I2C1_SCL/TIM4_CH1	57
8	PC0/ADC10	PB5/I2C1_SMBA/SPI3_MOSI/I2S3_SD	56
9	PC1/ADC11	PB4/JNTRST/SPI3_MISO	55
10	PC2/ADC12	PB3/JTDO/SPI3_SCK/I2S3_CK	54
11	PC3/ADC13	PC2/U5_RX/TIM3_ETR/SDIO_CMD	53
12	VSSA	PC12/U5_TX/SDIO_CK	52
13	VDDA	PC11/U4_RX/SDIO_D3	51
14	PA0/WKUP/ADC0-TIM2_CH1_ETR/TIM5_CH1/TIM8_ETR	PC10/U4_TX/SDIO_D2	50
15	PA1/ADC1/TIM2_CH2/TIM5_CH2	PA15/JTDI/SPI3_NSS/I2S3_WS	49
16	PA2/U2_TX/ADC2-TIM2_CH3-TIM5_CH3	PA14/JTCK/SWCLK	48
17	PA3/U2_RX/ADC3-TIM2_CH4-TIM5_CH4	VDD	47
18	PA4		46
19	PA5		45
20	PA6		44
21	PA7		43
22	PA8		42
23	PA9		41
24	PA10		40
25	PA11		39
26	PA12		38
27	PA13		37
28	PA14		36
29	PA15		35
30	PA16		34
31	PA17		33
32	PA18		32
33	PA19		31
34	PA20		30
35	PA21		29
36	PA22		28
37	PA23		27
38	PA24		26
39	PA25		25
40	PA26		24
41	PA27		23
42	PA28		22
43	PA29		21
44	PA30		20
45	PA31		19
46	PA32		18
47	PA33		17
48	PA34		16
49	PA35		15
50	PA36		14
51	PA37		13
52	PA38		12
53	PA39		11
54	PA40		10
55	PA41		9
56	PA42		8
57	PA43		7
58	PA44		6
59	PA45		5
60	PA46		4
61	PA47		3
62	PA48		2
63	PA49		1
64	PA50		0

2

3

1

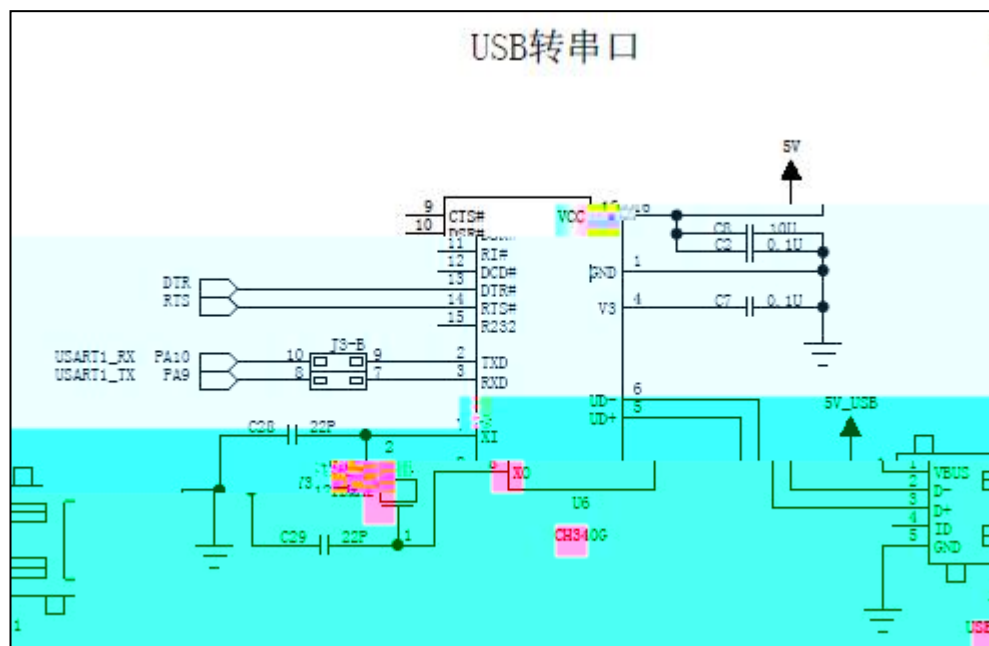


2

3

-

1



2

3

-

1

2

5

1

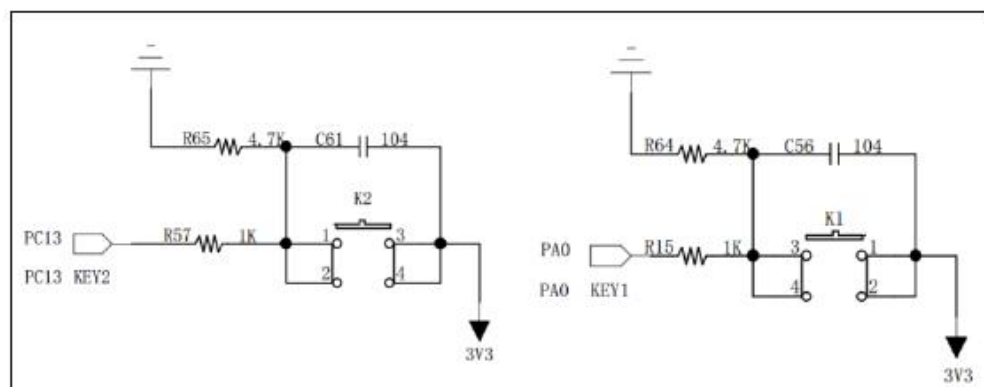
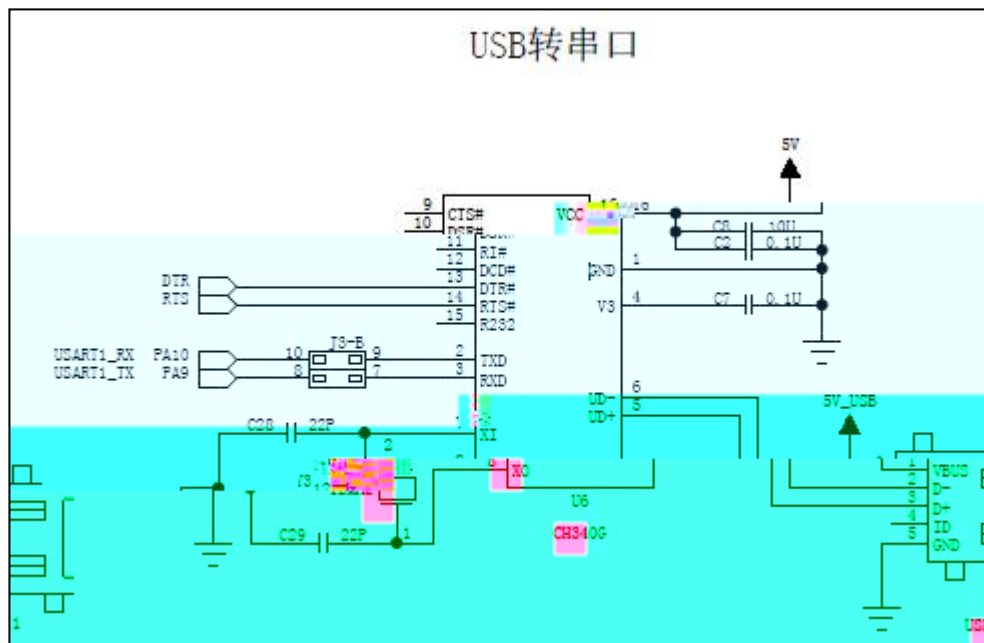


2

3

-

1

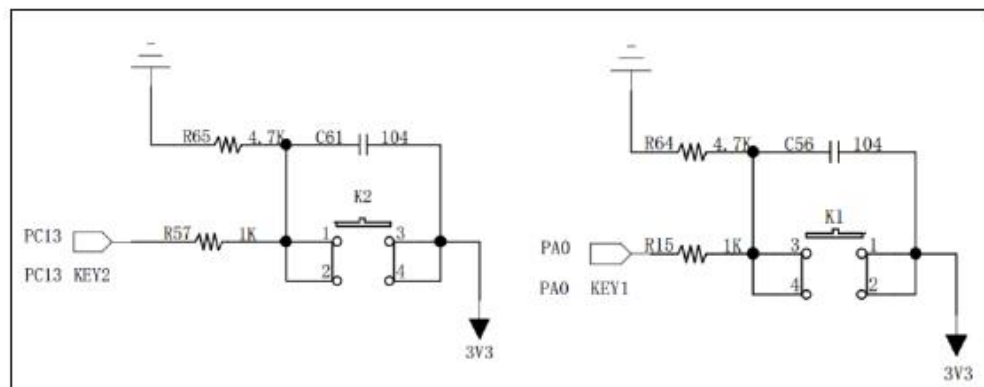
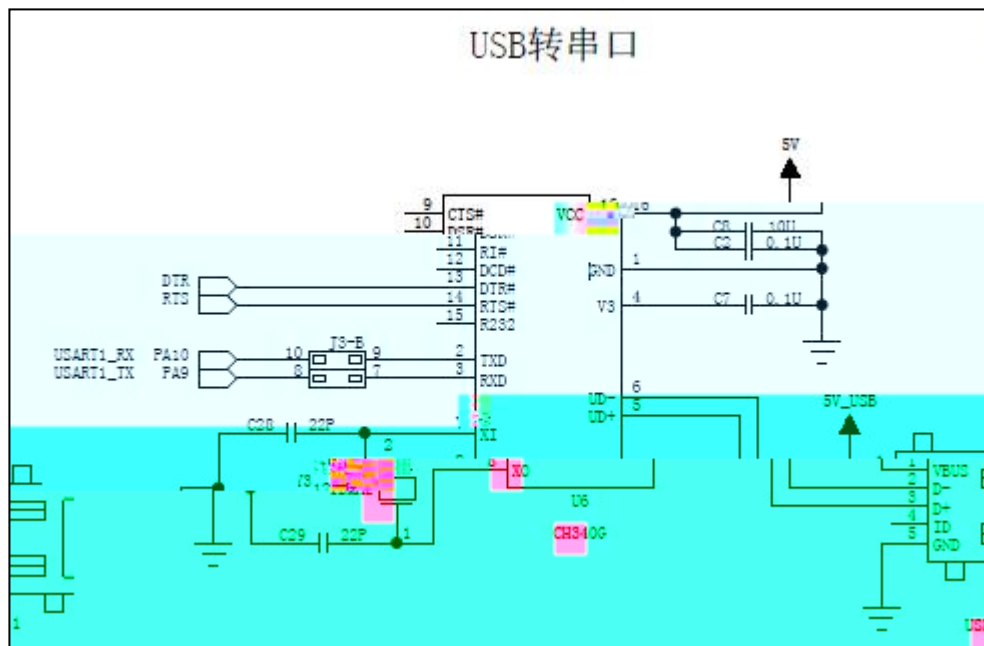


2

3

-

1



2

3

-

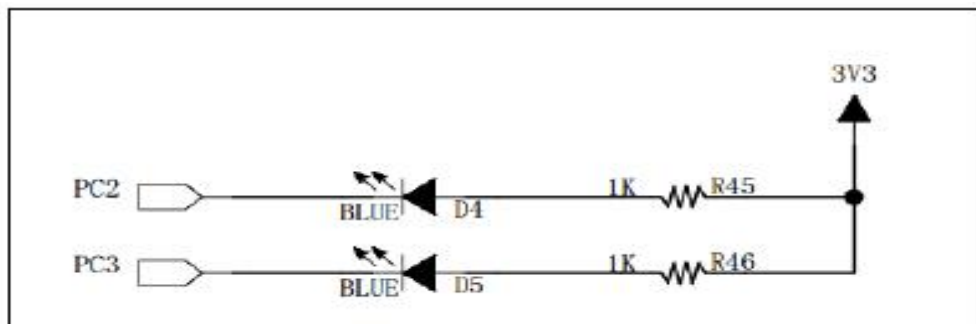


2

3

-

1



2

3

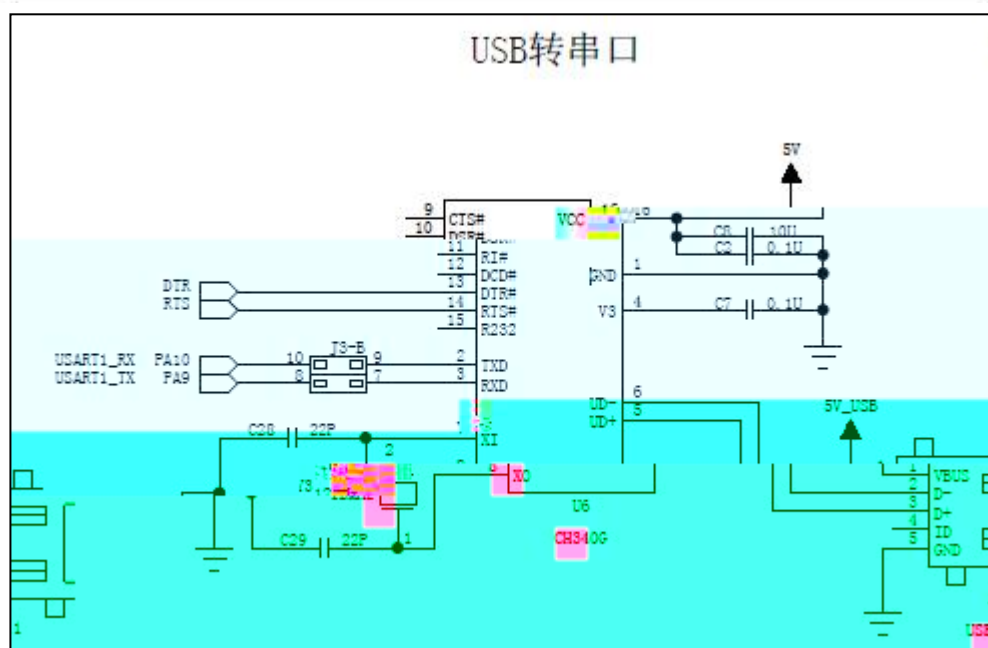
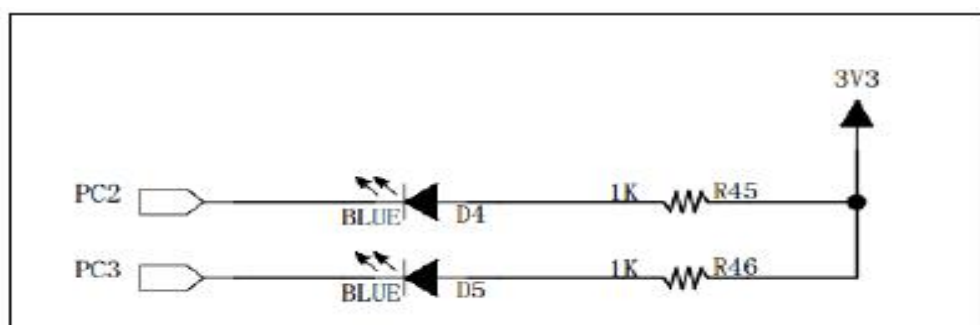


2

3

-

1



2

3

-

1

1

/ /

.0

/ /

()

/

1 0

20		10			0	
			6			
			7			
		10	8			
			9			

			10	
30				
		10		
		10		
50				
		10		

5

18

1
2

20sp

RGB #FF0000



3 :

2
1



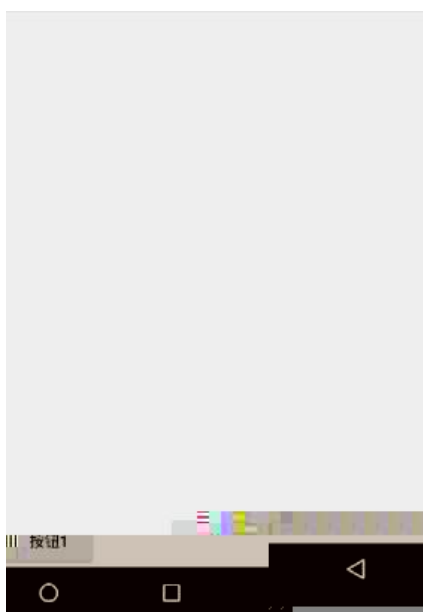
3 :

1

2

1

2



3

:

TextView

2

1



3

1

2



3

2

1

2



3

1

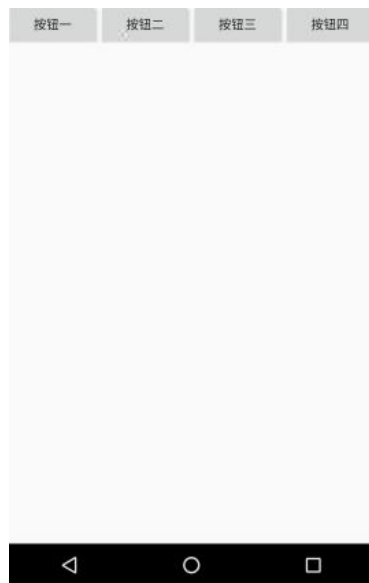
1 1 1 1

2

1

2

1 1 1 1



3

1

2

1



3

1

2

1

2



3

1

2

1

2

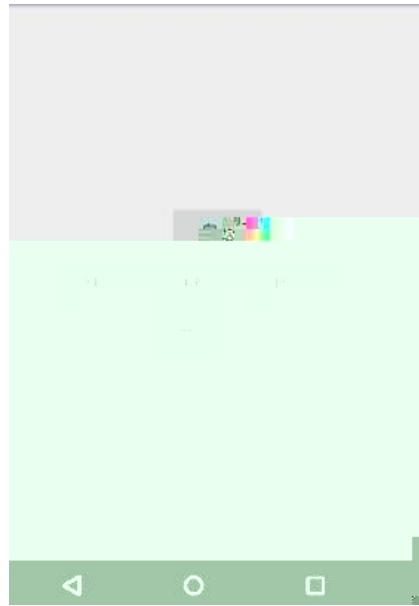


3

1

2

1



3

1

LED

2

1

2

3

TextView LED



3

1

LED

2

1

2

3

TextView LED



3

1

LED

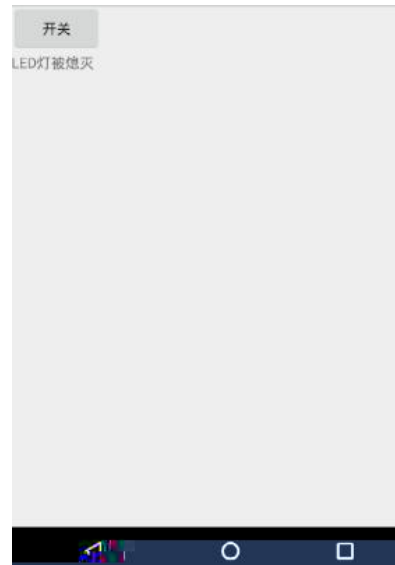
2

1

2

3

TextView LED



3

1

LED

2

1

2

3

4

TextVi ew



3

1

LED

2

1

2

3

4

ImageView

30dp*30dp



3

1

2

1

2



3

1

2

1

2



3